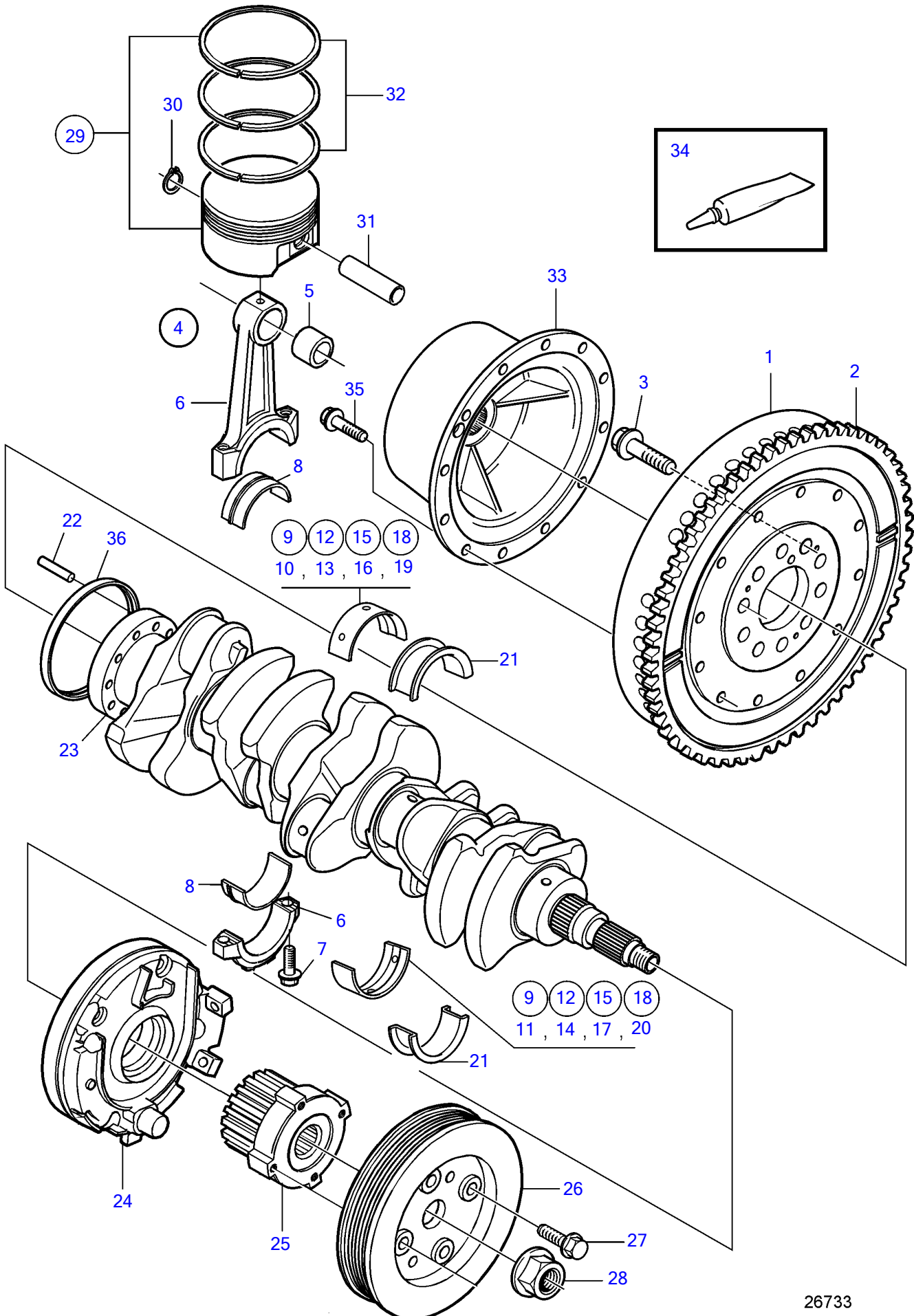


D3-140A-D, D3-140A-E, D3-170A-D, D3-170A-E, D3-200A-D, D3-200A-E, D3-220A-D, D3-220A-E



26733

D3-140A-D, D3-140A-E, D3-170A-D, D3-170A-E, D3-200A-D, D3-200A-E, D3-220A-D, D3-220A-E

REF	PART NO.	QTY	DESCRIPTION	SEE SEC.	NOTES
1	21317215	1	Flywheel		Replaced by 21517500
	21517500	1	Flywheel		
2	3818641	1	• Gear ring		
3	9454743	10	Screw		
4	30777189	5	Connecting rod		SN2003015858-
5		1	• Bushing		
6		1	• Connecting rod		
7	9497858	2	• Screw		
8	31251996	1	Big-end bearing kit		
9	31251378	5	Main bearing		Without flange, red, See Workshop Manual
10	31330321	5	• Main bearing		Red, Without flange, upper, See workshop Manual
11	30777951	5	• Main bearing		Red, Without flange, lower, See workshop Manual
12	31251379	5	Main bearing		Without flange, yellow, See Workshop Manual
13	31330322	5	• Main bearing		Yellow, Without flange, upper, See workshop Manual
14	30777952	5	• Main bearing		Yellow, Without flange, lower, See workshop Manual
15	31251380	5	Main bearing		Without flange, blue, See Workshop Manual
16	31330323	5	• Main bearing		Blue, Without flange, upper, See workshop Manual
17	30777953	5	• Main bearing		Blue, Without flange, lower, See workshop Manual
18	31251381	5	Main bearing		Without flange green, See Workshop Manual
19	31330324	5	• Main bearing		Green, Without flange, upper, See workshop Manual
20	30777954	5	• Main bearing		Green, Without flange, lower, See workshop Manual
21	31251597	1	Thrust bearing		With flange, red, See Workshop Manual
	31251598	1	Thrust bearing		With flange, yellow, See Workshop Manual
	31251599	1	Thrust bearing		With flange, blue, See Workshop Manual
22	973660	1	Spring pin		
23	9465781	1	Crankshaft		
24		1	Oil pump	35762	
25	1275366	1	Pulley		
26	31258122	1	Oscillation damper		
27	975101	4	Flange screw		M10x30mm
28	3531111	1	Nut		
29	31251737	1	Piston		Class C, SN-2003015855
	31251738	1	Piston		Class D, SN-2003015855
	31251739	1	Piston		Class E, SN-2003015855
	31272195	1	Piston kit		Class C, SN2003015858-
	31272196	1	Piston kit		Class D, SN2003015858-
	31272197	1	Piston kit		Class E, SN2003015858-
30	(30777225)	1	• Lock ring		Obsolete part
31		1	• Piston pin		
32	30750678	1	Piston ring kit		
33	21373176	1	Flexible coupling		
34	(598034)	1	Grease		Obsolete part
35	946671	6	Flange screw		
36	9458178	1	Sealing ring		